

SW405K

PRODUCT SPECIFICATIONS

SANY



## STANDARD FEATURES

- Engine: Deutz TCD 7.8 (EU Stage 5)
- Boom Suspension System
- Locking Differential Axle
- Automatic Transmission Kick Down
- Bucket Self-Leveling and Return to Dig
- SANYLive Telematics
- Single Joystick Control
- Third Function Hydraulics
- Reversible fan
- 360° View Camera

Gross Power  
**195 kW**

Bucket Capacity  
**3.2 m<sup>3</sup>**

Operating Weight  
**18 500 kg**

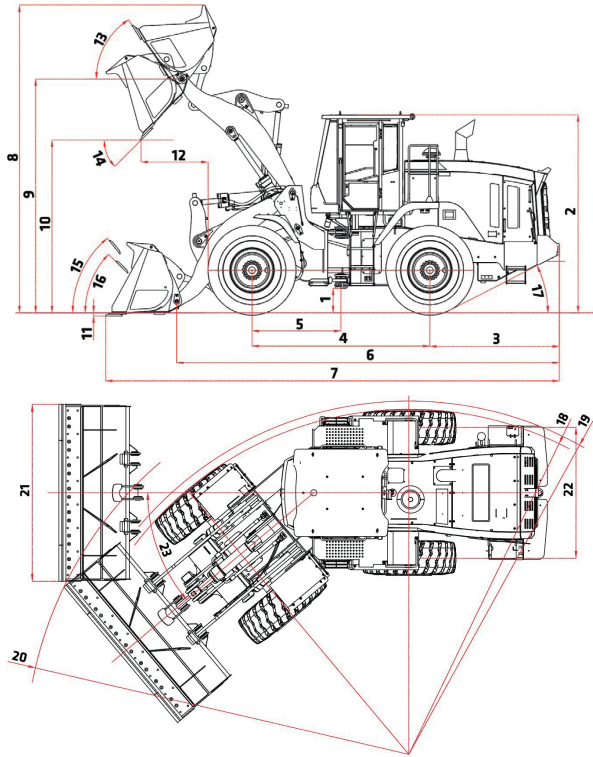
Straight Turn Tipping Load  
**14500 kg**

Full Turn Tipping Load  
**13100 kg**

# PRODUCT SPECIFICATIONS

# SANY SW405K

## Machine Parameters



### OVERALL DIMENSIONS

	STANDARD
1 Ground clearance	430 mm
2 Height to Top of Cab	3 580 mm
3 Center Line of Rear Axle to Edge of Counterweight	2 335 mm
4 Wheelbase	3 200 mm
5 Center Line of Front Axle to Center Pivot	1 600 mm
6 Shipping Length without Attachment	7 040 mm
7 Shipping Length with Bucket	8 180 mm
8 Max. Dump Height	5 415 mm
9 Hinge Pin Height at Max. Lift	4 145 mm
10 Dump Clearance at Max. Lift	3 100 mm
11 Dig Depth, Level Bucket	30 mm
12 Reach at Max. Lift and 45° Discharge	1 185 mm
13 Roll Back at Max. Lift	58°
14 Dump Angle at Max. Lift and Dump	45°
15 Roll Back at Carry Height	50°
16 Roll Back at Ground	45°
17 Tail Angle to the Rear Wheel	27°
18 Clearance Circle to Outside of Tires	5 635 mm
19 Clearance Circle to Counterweight	5 911 mm
20 Max. Circle	6 465 mm
21 Width of the Bucket	3 015 mm
22 Width	2 200 mm
23 Articulation Angle	+/- 40°

In the interest of continual equipment development, SANY reserves the right to change these specifications at any time without prior notification.

#### WEIGHT

Operating Weight	18 500 kg
------------------	-----------

#### ENGINE

Deutz TCD7.8

Max Gross Power	195 kW
Rated power	170 kW
Max Gross Torque	1308 Nm
Displacement	7.8 L

#### OPERATING

Bucket Capacity	3.2 m <sup>3</sup>
Breakout Force	180 kN
Tipping Load Straight	14 500 kg
Tipping Load @ Full Turn	13 100 kg
Clearance (full lift 45° dump)	3100 mm
Reach (full lift 45° dump)	1185 mm

#### HYDRAULIC SYSTEM

Max Flow	306.6 LPM
Max Pressure	28 MPa

#### HYDRAULIC CYCLE TIMES

Raise	5.4 sec
Dump	1.9 sec
Float Down	3.3 sec
Total Cycle Time	10.6 sec

#### SERVICE CAPACITIES

Fuel Tank	300 L
Cooling System	43 L
Engine Crankcase	23 L
Transmission	35 L
Front Axle	28 L
Rear Axle	28 L
Hydraulic Tank	290 L
DEF Tank	20 L

#### TRANSMISSION

Shift Modes	Automatic, Manual, Kick Down
Forward Gear 1-4	7.3/13.5/26/40 km/h
Reverse Gear 1-3	7.3/13.5/26 km/h

#### POWER TRAIN

Front Axle	Fixed
Traction Aid	Manual Differential Lock
Rear Axle	Oscillating
Traction Aid	Open Differential
Service Brake	Wet Disk
Parking Brake	Disk Brake

# SANY